

AIO-ENDS-50/-51



Instruction manual

DE – ACHTUNG: Die Verwendung des INNOTECH-Produkts ist erst zulässig, nachdem die Gebrauchsanleitung in der jeweiligen Landessprache vollständig gelesen und verstanden wurde.

EN – ATTENTION: Use of the INNOTECH product is only permitted after the instruction manual has been read and fully understood in the respective language.

IT – ATTENZIONE: L'utilizzo del prodotto INNOTECH è permesso solo previa lettura e comprensione dell'intero manuale di istruzioni nella lingua del relativo paese di utilizzo.

FR – ATTENTION : L'utilisation du produit INNOTECH n'est autorisée qu'après avoir entièrement lu et compris la notice d'utilisation dans la langue du pays concerné.

NL – ATTENTIE: Dit INNOTECH-product mag pas gebruikt worden nadat u de gebruikershandleiding in de taal van het betreffende land gelezen en begrepen hebt.

ES – ATENCIÓN: Se autorizará el uso de los productos INNOTECH una vez que se hayan leído y entendido las instrucciones de uso en el idioma del país.

PT – ATENÇÃO: O uso do produto INNOTECH apenas é permitido depois de ter lido e compreendido na totalidade as instruções de uso na respetiva língua nacional.

DK – GIV AGT: Du må først bruge et produkt fra Innotech, efter du har læst og forstået brugsvejledningen i fuldt omfang i dit lands sprog.

SV – O B S : Denna INNOTECH-produkt får inte användas förrän bruksanvisningen på respektive lands språk har lästs igenom och förstås.

CZ – POZOR: Práce s výrobkem INNOTECH je povolena teprve po kompletním přečtení a porozumění návodu k použití v jazyku daného státu.

PL – UWAGA: Produkty firmy INNOTECH mogą być używane dopiero po dokładnym zapoznaniu się z całą instrukcją obsługi w ojczystym języku.

SL – POZOR: Uporaba izdelka INNOTECH je dovoljena šele po tem, ko ste navodila prebrali v celoti v ustreznem jeziku svoje dežele in jih tudi razumeli.

SK – POZOR: Produkt INNOTECH môžete používať až po prečítaní a porozumení celého návodu na použitie pre príslušnú krajinu.

HU – FIGYELEM: Az INNOTECH termékek használatra csak azt követően engedélyezett, hogy saját nyelvéen elolvasta és megértette a teljes használati utasítást.

TR – DİKKAT: INNOTECH ürününün kullanımına ancak ilgili ülkenin dilinde sunulmuş olan kullanım kılavuzunun tamamen okunmasından ve anlaşılmasından sonra izin verilir.

ZH – 注意: 只有在仔细阅读并完全理解了当地语言的使用说明后, 才能使用 INNOTECH 公司的产品。

DE

EN

IT

FR

NL

ES

PT

DK

SV

CZ

PL

SL

SK

HU

TR

ZH

[2]	DESCRIPTION OF SYMBOLS	3
[3]	SAFETY INSTRUCTIONS	3
[4]	COMPONENTS/MATERIAL	6
[5]	WARRANTY	7
[6]	DIMENSIONS	7
[7]	SIGNS & MARKINGS	8
[8]	INSTALLATION TOOLS	10
[9]	INSTALLATION INSTRUCTIONS	11
[10]	INSTALLATION AIO-ENDS-50	15
[11]	INSTALLATION AIO-ENDS-51	22
[12]	SYSTEM OVERVIEW	25
[13]	DISPOSAL	26
[14]	ACCEPTANCE REPORT	27
[15]	FALL PREVENTION SYSTEM NOTICE	29
[16]	INSPECTION REPORT	30
[17]	DEVELOPMENT & SALES	32

Warnings / Danger notices

For an IMMEDIATE danger, which could lead to severe injury or death.



For a POTENTIALLY dangerous situation, which could lead to severe injury or death.



For a POTENTIALLY dangerous situation, which could lead to injuries and property damage.



Wear protective gloves!



Wear protective glasses!

**Additional information/notice**

correct



incorrect



Follow the manufacturer's instructions/the respective user manuals.

The following safety instructions and the latest technological standards must be taken into account.

3.1 GENERAL

- The safety system may only be assembled according to the latest technological standards and by an appropriately trained, competent professional who is familiar with the safety system.
- The protective equipment may only be installed or used by persons who:
 - are trained in the use of "Personal Protective Equipment"(PPE),
 - are physically and psychologically fit(health restrictions such as heart/ circulatory problems, medication, alcohol consumption, etc. compromise the user's safety).
 - are familiar with the locally applicable safety regulations.
- All applicable accident prevention rules(e.g. those for work on roofs) must be followed during installation and use of the safety system.
- An emergency plan must be available which includes rescue measures for all possible emergencies.
- Before works begin, measures must be taken to ensure that no objects can fall down from the workspace. The area under the workspace (sidewalk, etc.) must be kept clear.
- The fall prevention system should be planned, installed and used in such a way that proper use of the personal protective equipment(PPE) makes a fall over the edge impossible. (See planning documents at www.innotech.at).
- The fall prevention system is subject to maximum load limits. These can be found on the type plate of the fall prevention system and may not be exceeded.
- The type plate of the fall prevention system is to be applied in a location which is easily visible for the user.
- The positions of the anchor points are to be visibly documented (e.g. with a sketch of the rooftop) at the access point to the roof safety system.
- After being subjected to the stress of a fall, the entire safety system is to be taken out of operation and inspected by a qualified professional (component parts, fastenings to the substructure, etc.).
- The safety system must not be altered in any way.
- If access to the safety system is granted to external contractors, their familiarity with this user manual is to be confirmed in writing.
- Should the equipment be sold to a customer abroad, the user manual is to be provided in the appropriate local language.
- Local lightning protection regulations are to be observed.



Should any confusion arise during installation, the manufacturer must be contacted.

3.2 FOR FITTERS: FOR SAFE INSTALLATION

- All stainless steel screws are to be treated with an appropriate lubricant before installation (included: Weicon AntiSeize ASW 10000 or equivalent).
- Stainless steel may not come into contact with sanding dust or steel tools, as this can lead to corrosion.
- The fitters must ensure that the substructure is appropriate for the fastening of the anchoring materials. In case of doubt, consult a structural engineer.
- The roof covering must be sealed according to the appropriate regulations.
- In areas with significant snowfall, the fall prevention system is to be installed near the roof ridge.
- Proper fastening of the safety system must be documented with fastening reports and photos of the respective circumstances of installation.

3.3 FOR USERS: FOR SAFE USE

- To ensure safe entry/ascent to the fall prevention system, all necessary work safety regulations must be followed.
- Connection to the fall protection system is established with a stainless steel karabiner as per EN 362 along with personal protective Equipment as per EN 361 (safety harness) and EN 363 (fall arrester).
- If the cable length has been installed as a restraint system: when using the cable length, a cable shortener must be used to set the connecting element in such a way that a fall is impossible.
- The minimum free space necessary under the edge is calculated as follows: Deformation of the anchor device in case of stress + manufacturer's specification of the personal protective equipment used, including deflection of the cable + body height + 1 m safety margin.
- For horizontal use, only such connecting elements can be used which are designed for this purpose and tested for the respective edge type (sharp edges, trapezoidal sheet, steel girders, concrete, etc.).
- Proper use of the individual components, including the "Personal Protective Equipment" must be ensured, since the effectiveness of the fall prevention system is otherwise NOT guaranteed.
- Do NOT use fall arrest systems if wind speeds exceed normal parameters.
- After heavy storms, the metal roof system (substructure) is to be inspected before continued use of the fall prevention system.
- On slanted roofs, the proper snow-catching features must be added to prevent ice or snow from sliding from the roof surface.
- The fall protection system must NOT be used by children or pregnant women.

A)



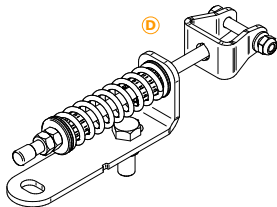
C)



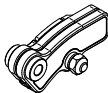
B)



D)



E)



A) Instruction manual

B) Lubricant: Weicon AntiSeize ASW 10000

C) Protective cap

D) End fastener incl. spring loader: stainless steel AISI 304

E) Clamp set: aluminium

4.1 OPTIONAL

F) Installation sheet

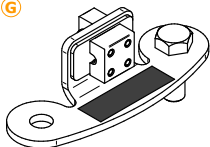
G) End fastener AIO-ENDS-51: stainless steel AISI 304

H) Protective cap

F)



G)



H)



5

WARRANTY

The warranty period for manufacturing defects on all components (under normal conditions of use) is 2 years from the date of purchase. The term is shortened if they are used in corrosive atmospheres.

If there is a strain (fall, weight of snow, etc.) the warranty claim is void for those components that have been designed to absorb energy or that may have been deformed.

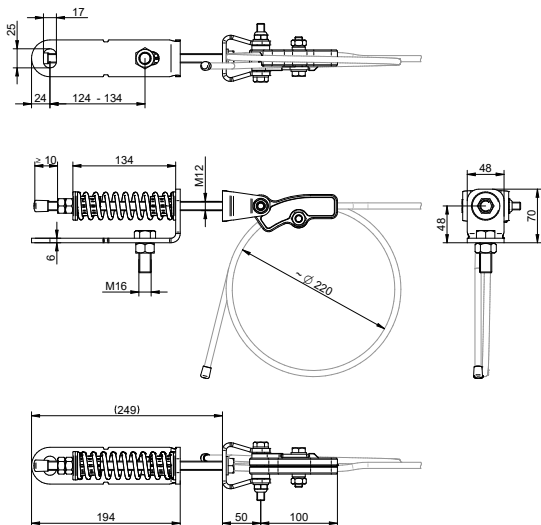


For system installation and for components planned and installed under the responsibility of specialised professional installation companies, INNOTECH neither assumes responsibility nor is it bound by warranty in the case of improper installation.


6

DIMENSIONS


[mm]



7.1 AIO-ENDS-50/-51 TYPE PLATE EN 795:2012 TYP C

- A) Name or Logo of the manufacturer/seller: INNOTECH
 B) Type designation: ALLinONE
 C) Sign that the instruction manual must be followed: 
 D) Maximum number of people who can be secured: 4 (including 1 person for first aid administration)
 E) Number of the applicable norm: EN 795:2012 TYP C
 F) Designation: Cable type nr:
 G) Shock absorber: YES
 H) Installation date: Year of installation:
 I) Date of the next annual inspection: Date of the next annual inspection
 J) Name & address of the fitting company: Installed by

INNOTECH **ALLinONE** B
 HORIZONTAL CABLE SYSTEM
 EN795:2012 TYP C

 **READ THE INSTRUCTION MANUAL PRIOR TO USE**

RATING PLATE	
MAX. NUMBER OF USERS	4
SHOCK ABSORBER	YES

MIN. FREE SPACE BELOW THE FALL POINT IS CALCULATED AS: MANUFACTURER'S SPECIFICATION OF THE PPE USED + DEFLECTION OF THE CABLE + BODY HEIGHT + 1m

INSTALLATION DATE	XXXX	XXXX	XXXX
-------------------	------	------	------


DATE OF THE NEXT ANNUAL INSPECTION	INSTALLED BY
------------------------------------	--------------

DESIGNATION: J


CABLE SYSTEM NO: J

AIO-TYP-50-EN-B

7.2 AIO-ENDS-50/-51 TYPE PLATE EN 795:2012 TYP C AND E


- A) Name or Logo of the manufacturer/seller: INNOTECH
 B) Type designation: ALLinONE
 C) Sign that the instruction manual must be followed: 
 D) Maximum number of people who can be secured: 2 (including 1 person for first aid administration)
 E) Number of the applicable norm: EN 795:2012 TYP C
 EN 795:2012 TYP E
 F) Designation: Cable type nr:
 G) Shock absorber: YES
 H) Installation date: Year of installation:
 I) Date of the next annual inspection: Date of the next annual inspection
 J) Name & address of the fitting company: Installed by

INNOTECH ALLinONE
 HORIZONTAL CABLE SYSTEM
 EN795:2012 TYP C
 EN795:2012 TYP E


 **READ THE INSTRUCTION MANUAL PRIOR TO USE**


RATING PLATE	
MAX. NUMBERS OF USERS	2
FALL BREAKER	YES

MIN. FREE SPACE BELOW THE FALL POINT IS CALCULATED AS: MANUFACTURER'S SPECIFICATION OF THE PPE USED + DEFLECTION OF THE CABLE + BODY HEIGHT + 2m

 **USE IS RESTRICTED IF THERE IS FROST OR DANGER OF FROST ! READ THE VARIO INSTRUCTION MANUAL IN THIS CASE.**


INSTALLATIONS DATE	XXXX	XXXX	XXXX
DATE OF THE NEXT ANNUAL INSPECTION	INSTALLED BY		

DESIGNATION: 

CABLE SYSTEM NO: 

AIO-TYP-51-EN-B

7.3 AIO-ENDS-50/-51 TYPE PLATE DIBT

- A) Name or Logo of the manufacturer/seller: INNOTECH
 B) Type designation: ALLinONE
 C) Sign that the instruction manual must be followed: 
 D) Maximum number of people who can be secured: 3 (including 1 person for first aid administration)
 E) Designation: Cable type nr:
 F) Shock absorber: YES
 G) Installation date: Year of installation:
 H) Date of the next annual inspection: Date of the next annual inspection
 I) Name & address of the fitting company: Installed by
 J) DIBT-certified: Ü-sign

INNOTECH
ALLinONE
 HORIZONTAL - SEILSYSTEM

 **VOR BENUTZUNG
 VERWENDUNGSANLEITUNG LESEN**

TYPENSCHILD

MAX. BENUTZERANZAHL	3
FALLDÄMPFER	JA

MIN. FREIRAUM UNTER DER ABSTURZSTELLE
 ERRECHNET SICH AUS:
 HERSTELLERANGABE DER VERWENDETEN PSA +
 SEILAUSLENKUNG + KÖRPERGRÖSSE + 1m

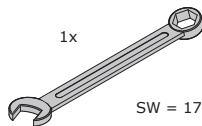
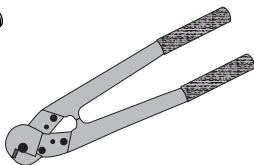
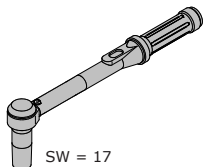
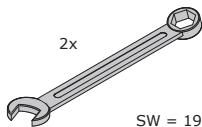
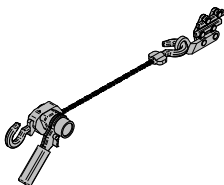
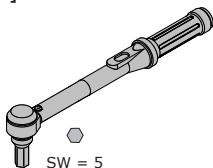
INSTALLATIONSdatum	XXXX XX XX
Datum der nächsten jährlichen Überprüfung	INSTALLIERT DURCH

BEZEICHNUNG:
SEILANLAGE-Nr:
 AIO-TYP-50-DIBt-DE-A

8

INSTALLATION TOOLS

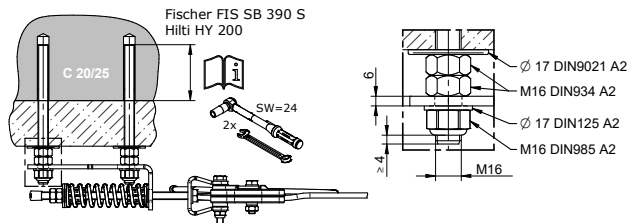
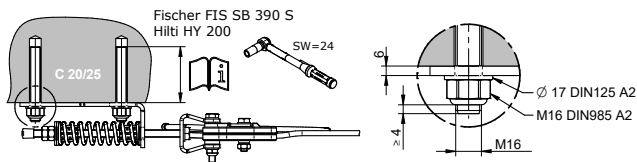
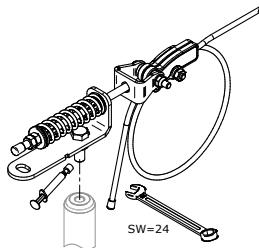
[mm]



EN

9.1 FASTENING

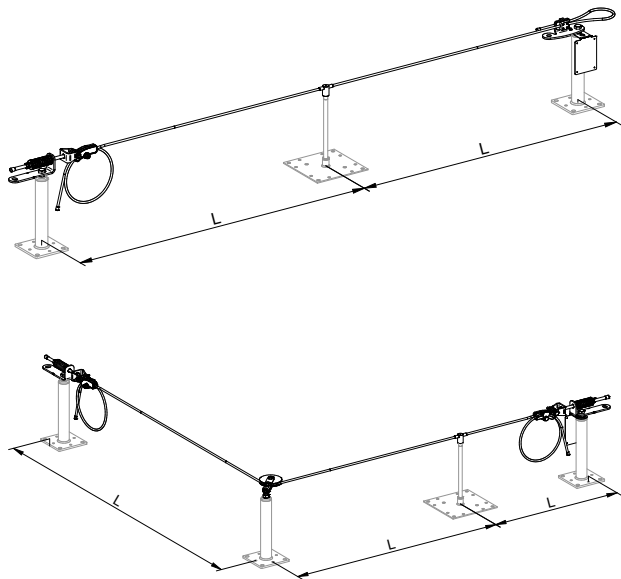
[mm]



9.2 FASTENING GAP

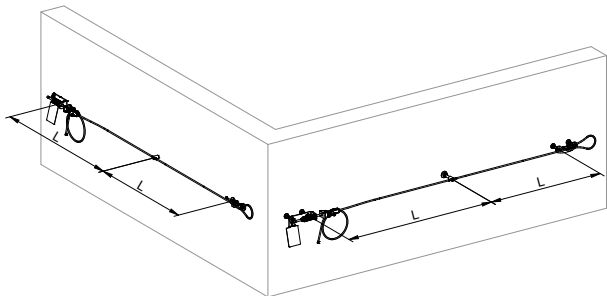
Post systems: **L = max. 15 m**

max. cable deviation = 3 m (STA-10-600)



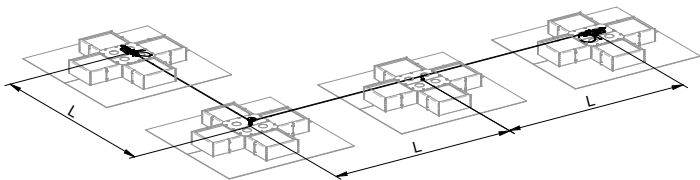
Facade systems: **L = max. 7,5 m** (Recommendation)

max. cable deviation = 1,2 m



Self-supporting systems: **L = max. 10 m**

max. cable deviation = 3,5 m (If the VARIO shifts)



Follow the respective instruction manuals.



Calculation bases/load tables - www.innotech.at



DANGER OF DEATH if NOT installed properly.

- INNOTECH "AIO-ENDS-50" must be installed correctly according to the instruction manual.
- Follow the INNOTECH "AIO-ENDS-50" instruction manual.



RISK OF INJURY from sharp edges on components.

- Wear protective gloves for installation works.



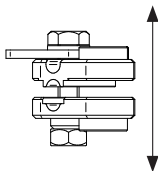
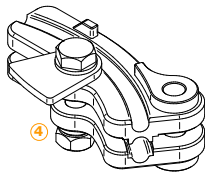
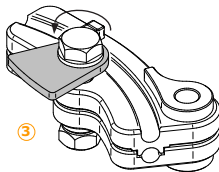
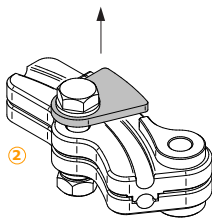
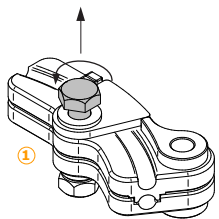
RISK OF EYE INJURY from dust/splinters/liquids.

- Wear eye protection/protective glasses for installation works.

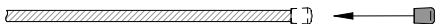


10.1 INNOTECH "AIO-ENDS-50"

1.



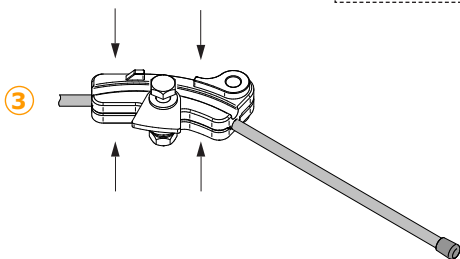
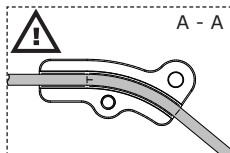
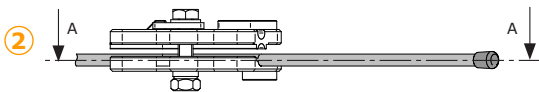
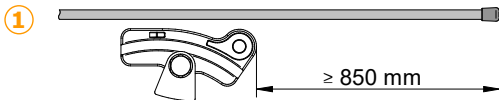
2.



3.

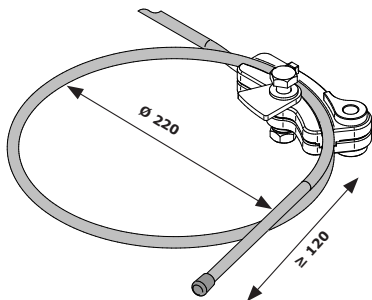


[mm]

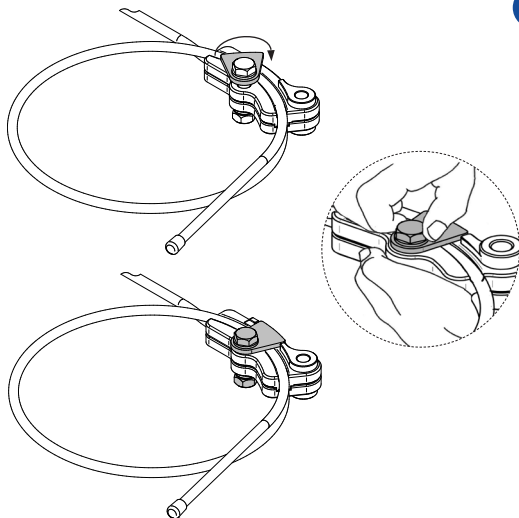


4.

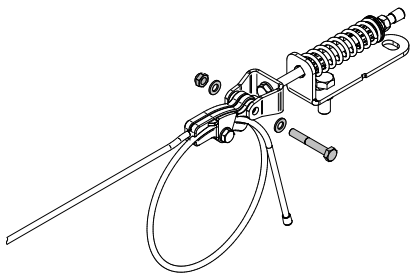
[mm]



5.



6.



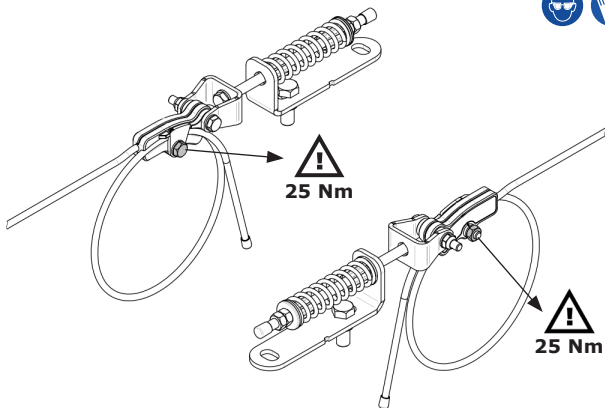
7.



SW = 17

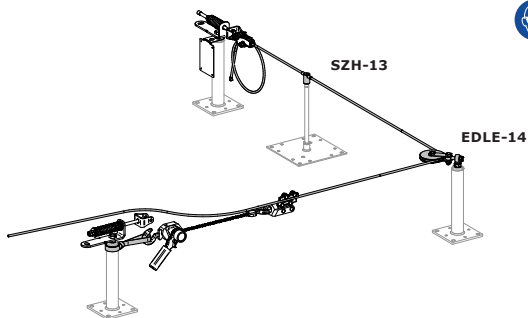


SW = 17



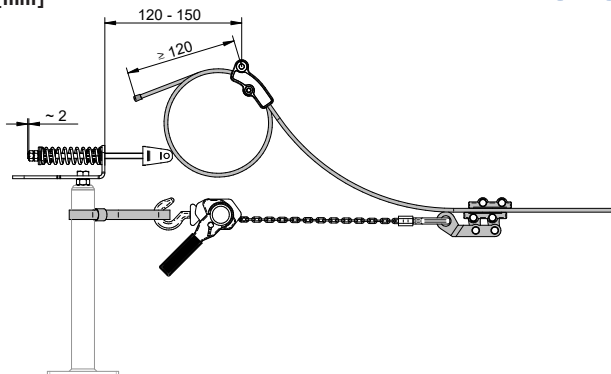
10.2 PRELOAD MONTAGE ENDS-50

1.

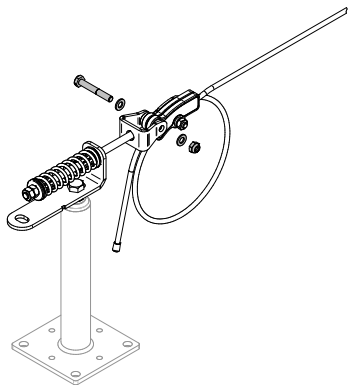


2.

[mm]

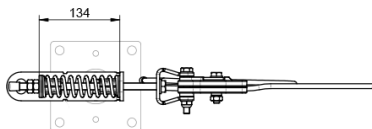
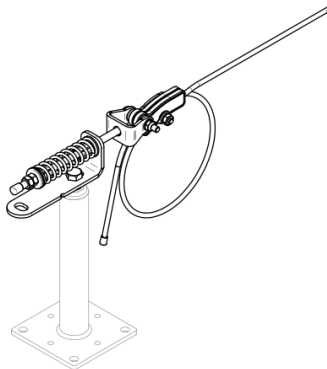


3.



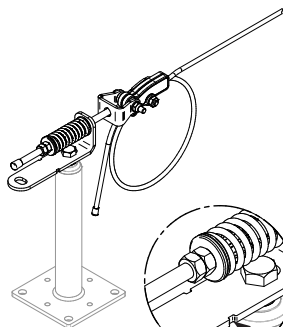
4.

[mm]

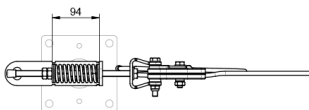


4.

[mm]

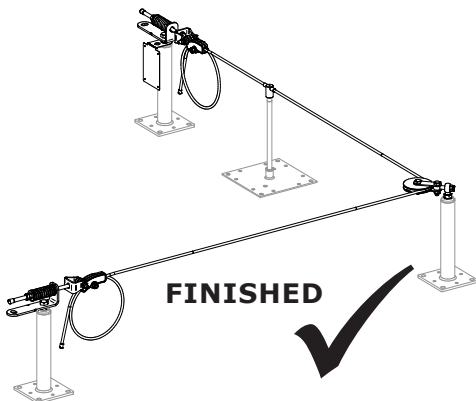


!
~ 100 KG



5.

[mm]



FINISHED



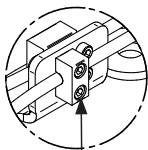
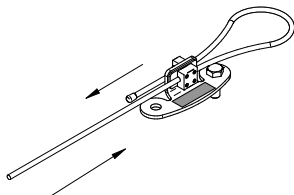
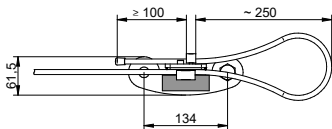
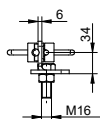
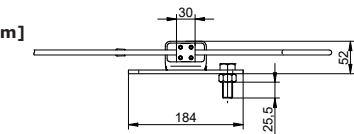
11

INSTALLATION AIO-ENDS-51

11.1 INSTALLATION ENDS-51

1.

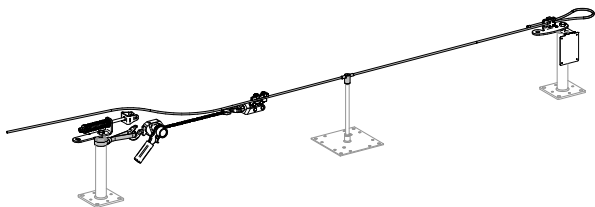
[mm]



4 X 4 NM



2.

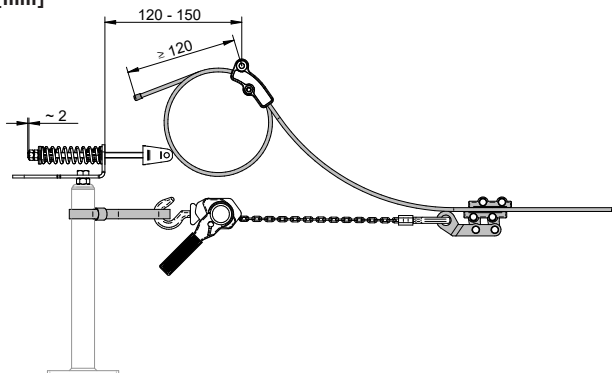


11

INSTALLATION AIO-ENDS-51

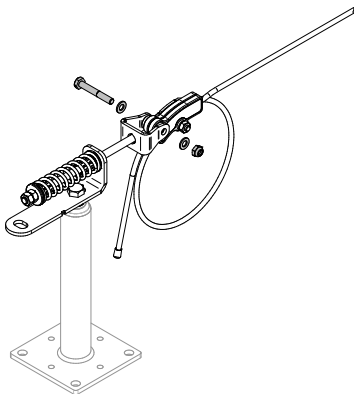
3.

[mm]



4.

2x

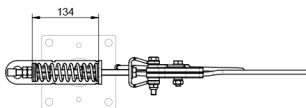
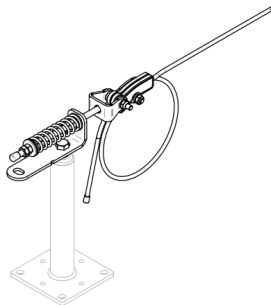


11

INSTALLATION AIO-ENDS-51

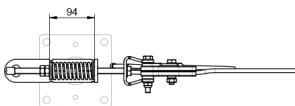
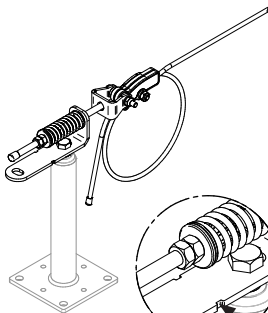
5.

[mm]



6.

[mm]

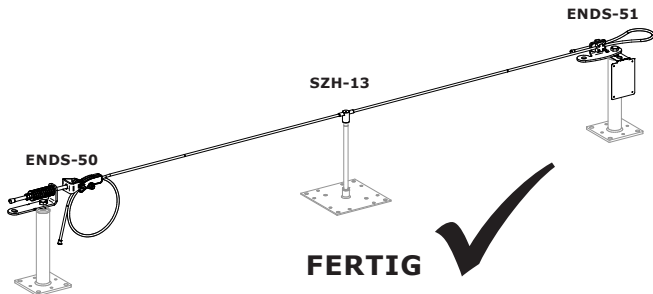



~ 100 KG

11

INSTALLATION AIO-ENDS-51

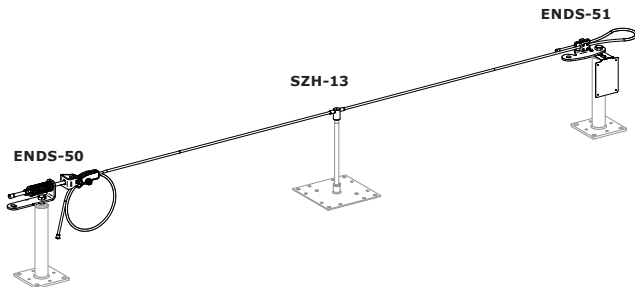
11.2 INSTALLATION AIO-ENDS-50 + AIO-ENDS-51



12

SYSTEM OVERVIEW

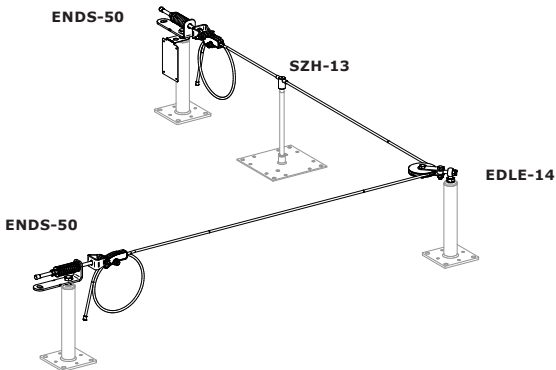
12.1 EXAMPLE APPLICATION



For a straight lifeline system, use AIO-ENDS-50 + AIO-ENDS-51.

12

SYSTEM OVERVIEW



For a lifeline system with a corner formation, use 2x AIO-ENDS-50.

13

DISPOSAL

Do NOT dispose of the fall protection system in the house waste. Following national requirements, gather the used parts and dispose of them in an environmentally responsible fashion.

14 COPY TEMPLATE ACCEPTANCE REPORT

ACCEPTANCE REPORT NR. _____ (PART 1/2)

HORIZONTAL LIFELINE SYSTEM AS PER EN 795 TYP C

CONTRACT NUMBER:

PROJECT:

CUSTOMER: Specialist:



Company address:

CONTRACTOR: Specialist:



Company address:

INSTALLATION: HORIZONTAL LIFELINE SYSTEM as per EN 795 TYP C

DESIGNATION: Cable type nr.: _____

Specialist:



Company address:

INSTALLATION: Fastening points of the horizontal lifeline system

Specialist:



Company address:

DOCUMENTATION OF FASTENINGS/PHOTO-DOCUMENTATION

PRODUCT: Pcs. _____ Year /Serial nr.: _____

(Type designation of fastening point)

INSTALLATION SUBSTRUCTURE: _____

(e.g solid concrete grade: C20/25; wood, rafter dimensions; for sheet roofs: roof manufacturer, profile, material, sheet thickness, etc.)

Date:	Location:	Anchor type: Fastening/ adhesive type	Seat depth: [mm]	Drill Ø: [mm]	Tightening torque:	Photos: (Save directory)
			mm	mm	Nm	

VARYING FASTENINGS /FASTENING POINTS (TYPES, INSTALLATION SUBSTRUCTURES, SERIAL NUMBERS, ETC.) MUST BE LISTED SEPARATELY!

PRODUCT: Pcs. _____ Year/Serial nr.: _____

(Type designation of fastening point)

INSTALLATION SUBSTRUCTURE: _____

(e.g solid concrete grade: C20/25; wood, rafter dimensions; for sheet roofs: roof manufacturer, profile, material, sheet thickness, etc.)

Date:	Location:	Anchor type: Fastening/ adhesive type	Seat depth: [mm]	Drill Ø: [mm]	Tightening torque:	Photos: (Save directory)
			mm	mm	Nm	

ACCEPTANCE REPORT NR. _____ (PART 2/2)

HORIZONTAL LIFELINE SYSTEM AS PER EN 795 TYP C

VARYING FASTENINGS / FASTENING POINTS (TYPES, INSTALLATION SUBSTRUCTURES, SERIAL NUMBERS, ETC.) MUST BE LISTED SEPARATELY!**PRODUCT:** Pcs. _____ Year/Serial nr.: _____
(Type designation of fastening point)**INSTALLATION SUBSTRUCTURE:** _____

(e.g. solid concrete grade: C20/25; wood, rafter dimensions; for sheet roofs: roof manufacturer, profile, material, sheet thickness, etc.)

Date:	Location:	Anchor type: Fastening/ adhesive type	Seat depth: [mm]	Drill Ø: [mm]	Tightening torque:	Photos: (Save directory)
			mm	mm	Nm	

The undersigned installation company ensures the correctness of their work (edge spacing, inspection of the substructure, proper cleaning of drill holes, observation of hardening times, working temperature and screw manufacturer guidelines, etc.). The customer accepts the services of the contractor. The instruction manuals, fastening documentations/ photo-documentations, and inspection reports were given to the customer (building owner) and are to be made available to the user. At the point of access to the fall prevention system, the positions of the anchor points are to be documented by the building owner by means of plans (e.g. sketches of the rooftop).

The contractor, a qualified professional who is familiar with the fall prevention system, confirms that the installation was performed correctly, up to the latest technological standards and according to the manufacturer's instruction manual. The reliability and safety is confirmed by the contracting company.

Delivery of: (e.g. cable sliders, personal protective equipment (PPE), fall arrester (HSG), storage cabinet, etc.) Pcs. _____ Pcs. _____ Pcs. _____ Pcs. _____Incorporated into existing lightning protection system? Yes No**Comments:** _____Name: _____
Customer

Fitter of fastening points

Date, company seal, signature_____
Date, company seal, signature_____
Fitter of horizontal lifeline system_____
Date, company seal, signature

INFORMATION ON THE FALL PREVENTION SYSTEM

The building owner is to make this notice visible at the system access point!

Use of the system must be up to technological standards
and the instruction manuals.

Instruction manuals, inspection reports, etc. are kept in:

Overview of the area with the position of anchor point:

Areas where falling through could occur (e.g. skylights and/or strip lights) must be marked!

The maximum load capacities of the anchor points are stated in the respective instruction manuals or the type plate of the fall prevention system.

If subjected to the stress of a fall or in case of doubt, the anchor point is to be removed from use immediately and sent to the manufacturer or a qualified repair facility for inspection and repair.
This also applies to damages to the fastening components.

INSPECTION REPORT NR. _____ (Part 1/2)

HORIZONTAL LIFELINE SYSTEM AS PER EN 795 TYP C

CONTRACT NUMBER: _____

PROJECT: _____

PRODUCT: Horizontal lifeline system Cable type nr. _____

ANNUAL SYSTEM INSPECTION COMPLETED ON: _____

ANNUAL SYSTEM INSPECTION TO BE COMPLETED BY: _____

CUSTOMER: Specialist: 

Company address: _____

CONTRACTOR: Specialist: 

Company address: _____

INSPECTION POINTS: <input checked="" type="checkbox"/> checked and in order!	OBSERVED DEFECTS: (Description of defect/ Measures to be taken)
DOCUMENTATION:	
<input type="checkbox"/> Instruction manual	
<input type="checkbox"/> Acceptance report/Documentation of fastenings / photo-documentation	
PPE (Personal Protective Equipment for fall protection) : Inspection according to manufacturer's instructions	
<input type="checkbox"/> Date of expiry	
<input type="checkbox"/> routine annual inspection conducted	
<input type="checkbox"/> not inspected (no authorisation)	
ROOF SEAL:	
<input type="checkbox"/> no damage	
<input type="checkbox"/> no corrosion	
VISIBLE PARTS OF THE FASTENINGS	
<input type="checkbox"/> no deformation	
<input type="checkbox"/> no corrosion	
<input type="checkbox"/> screw fastenings secure	
<input type="checkbox"/> tightening torque of screw fastenings	
<input type="checkbox"/> firmly positioned	
STAINLESS STEEL CABLE:	
<input type="checkbox"/> optical check	
<input type="checkbox"/> cable strands	
<input type="checkbox"/> ...	

INSPECTION REPORT NR. _____ (Part 2/2)

HORIZONTAL LIFELINE SYSTEM AS PER EN 795 TYP C

INSPECTION POINTS:

 checked and in order!

OBSERVED DEFECTS:

(Description of defect/ Measures to be taken)

INTERMEDIATE BRACKETS:

 no deformation welding seams screw fastenings secure

CORNER FASTENINGS:

 no deformation welding seams ...

END FASTENINGS:

 no deformation welding seams ...

END LOCK FASTENINGS:

 head sufficiently wrapped indicator clamp cable pretension of 75 to 120 kg inspection of welding points (crevice corrosion) ...

SLIDERS: Type: INNOTECH "AIO-GLEIT-..."

 screw fastenings secure sliding gap (see corresponding. "AIO-GLEIT-..."
instruction manual) original INNOTECH carabiner (as per EN 362) ...

INCORPORATION IN THE LIGHTNING PROTECTION SYSTEM:

(according to applicable lightning protection regulations):

 screw fastenings secure clamps not inspected ...

Result of acceptance: The safety system matches the manufacturer's instruction manual and the latest technological standards. Its safety and reliability is hereby confirmed.

Comments: _____

Name: _____

Customer

Inspection: Contractor (Qualified professional
familiar with the fall prevention system)

Date, company seal, signature

Date, company seal, signature

INNOTECH Arbeitsschutz GmbH, Laizing 10, 4656 Kirchham/Austria
www.innotech.at

