

TRANSLATION

(1) **EU-Type Examination Certificate**  
**according to Module B Paragraph 6.1 of PPE Regulation (EU) 2016/425**

- (2) Regulation of the European Parliament and of the Council of 9 March 2016 relating to personal protective equipment (PPE) - Regulation (EU) 2016/425
- (3) No. of EU-Type Examination Certificate: **ZP/B094/21** replaces ZP/B007/21

(4) Product: **Anchor device type D and Guided type fall arrester including a rigid anchor line**  
Type: **TAURUS**

(5) Manufacturer: **INNOTECH Arbeitsschutz GmbH**

(6) Address: **Laizing 10, 4656 Kirchham, Austria**

(7) Risk category: **III**

(8) The design and construction of this personal protective equipment and any acceptable variation thereto are specified in the appendix to this EU type-examination certificate.

(9) The certification body of DEKRA Testing and Certification GmbH, Notified Body No. 0158 according to Chapter V of Regulation (EU) 2016/425 of 9 March 2016, certifies that this personal protective equipment has been found to comply with the essential Health and Safety Requirements given in Annex II to the Regulation. The evaluation results are recorded in report PB 21-110. Other possibly applicable Union legislations applicable to the specified personal protective equipment have not been taken into account in this EU-type examination certificate.

(10) The essential Health and Safety Requirements are assured in consideration of

**DIN EN 795:2012**

**DIN CEN/TS 16415:2017**

**DIN EN 353-1:2018**

(11) This EU type-examination certificate relates only to the design, examination and tests of the specified personal protective equipment in accordance to Regulation (EU) 2016/425.

For category III personal protective equipment, this EU type-examination certificate may only be used in conjunction with one of the conformity assessment procedures referred to Article 19 (c).

(12) When applying the CE Marking according to Article 16 and 17 of Regulation (EU) 2016/425 to the products that conform to the types examined, the client is obliged to add, in accordance with the attached pattern, the identification number of the Notified Body engaged in the conformity assessment according to Module C2 or D.

Furthermore, the manufacturer is obliged to issue an EU declaration of conformity in accordance with Article 15 of Regulation (EU) 2016/425 and to enclose it with the personal protective equipment, or to indicate the Internet address in the manual and in the instructions in Annex II, point 1.4., at which the EU declaration of conformity can be accessed.

(13) This EU-Type Examination Certificate is valid until 2026-05-24.

DEKRA Testing and Certification GmbH  
Bochum, 2021-05-25

Signed: Kilisch  
Managing director

We confirm the correctness of the translation from the German original. In the case of arbitration only the German wording shall be valid and binding.

  
Managing director

## TRANSLATION

- (14) Appendix to
- (15) **EU-Type Examination Certificate**  
**ZP/B094/21**
- (16) 16.1 Subject and type  
Anchor device type D and guided type fall arrester including a rigid anchor line  
Type: TAURUS

### 16.2 Description

#### **Anchor device**

The anchor device of type TAURUS is used for temporary protection of people against falls from a height. The system is intended for horizontal use and consists of a rail and the pertinent approved rail glider. The rail (= aluminium extrusion profile) TAURUS RAIL-\*,\* is available as a straight or curved/arched variant. The connection between two guide pieces is established by a rail connector of type TAURUS VB-10 or a connector with an expansion compensation.

The mobile anchor points of types TAURUS-GLEIT-H11 and TAURUS-GLEIT-A-31 are running on the anchor line. These are equipped with an appropriate eyelet to receive the connector of the user's PPE. Maximum four people can be simultaneously protected per 10 m rail length when using the system.

The system is mounted horizontally using the brackets provided; the maximum distance between two brackets is 3000 mm. The rail can be positioned on the structure on the roof, wall or ceiling. Curve detours and running turnarounds in the form of a turnstile, type: TAURUS-DW-10, can be realized as well. The rail connector with expansion compensation is only intended for positioning the rail on a roof.

The rail ends are provided with end stops to prevent their unintended overriding. Here, one end stop can be opened (entrance/exit: TAURUS EA-11) to either remove the mobile anchor point from the anchor line or to fix it on the anchor line. The other end stops can be fixedly closed (types TAURUS-EA-10 and TAURUS EA-21).

#### **Guided-type fall arrester including rigid anchor line**

The guided-type fall arrester including rigid anchor line of type TAURUS is used for temporary protection of people against falls from a height.

The system is intended for vertical use and consists of a rail and the pertinent guided-type fall arrester. Here, the rail can be installed on the structure at a maximum inclination of 45° or 10° if assembly is done with a lateral offset of the mounting brackets. The rigid anchor line of the guided-type fall arrester is made up of the rail (= aluminium extrusion profile) TAURUS RAIL. The connection between two guide pieces is established by a rail connector of type TAURUS VB-10.

The guided-type fall arresters of types TAURUS GLEIT-V-21 or TAURUS GLEIT-A-31 are running on the anchor line. The connection to the user's connecting element is established by a permanently connected connector. The maximum user weight permitted at one guided-type fall arrester is 100 kg.

The rail is fastened using appropriate brackets at a maximum distance of 2000 mm. The rail ends are provided with end stops to prevent their unintended overriding. Here, one end stop can be opened (entrance/exit: TAURUS EA-11) to either remove the mobile anchor point from the anchor line or to fix it on the anchor line. The other end stop can be fixedly closed (types TAURUS-EA-10 and TAURUS EA-21).

**Combination of “anchor device” and “guided-type fall arrester including rigid anchor line”**

The glider of type TAURUS GLEIT-A-31 can be used as a mobile anchor point in horizontal position and as a guided-type fall arrester in vertical position on the anchor line; this ensures an uninterrupted connection of both systems if the user’s personal protective equipment (PPE) is used correctly.



Fig. 1: mobile anchor point  
type TAURUS GLEIT-H-11



Fig. 2: mobile anchor point  
type TAURUS GLEIT-H0-50



Fig. 3: mobile anchor point  
type TAURUS GLEIT-H0-51



Fig. 4: mobile anchor point  
type TAURUS GLEIT-S-111



Fig. 5: mobile anchor point and guided-type  
fall arrester type TAURUS GLEIT-A-31



Fig. 6: guided-type fall arrester  
type TAURUS GLEIT-V-21

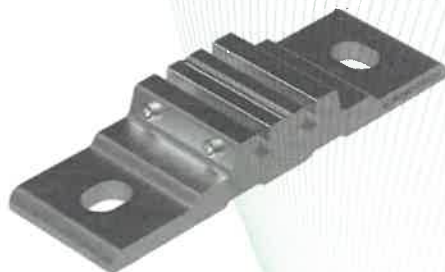


Fig. 7: rail fastener type TAURUS-BEF-10

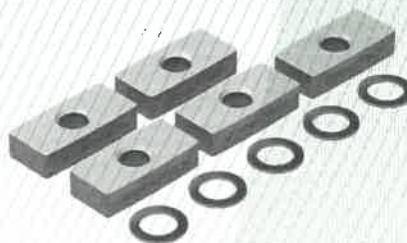


Fig. 8: rail fastener type TAURUS-BEF-12



TRANSLATION



Fig. 9: rail fastener type TAURUS-BEF-13



Fig. 10: rail fastener type TAURUS-BEF-20



Fig. 11: rail fastener type TAURUS-BEF-21

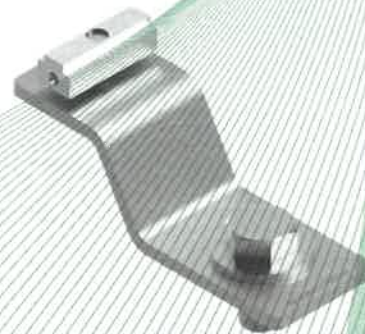


Fig. 12: fastening element type TAURUS-BEF-30

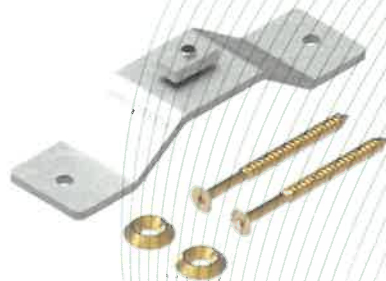


Fig. 13: fastening element type TAURUS-BEF-41

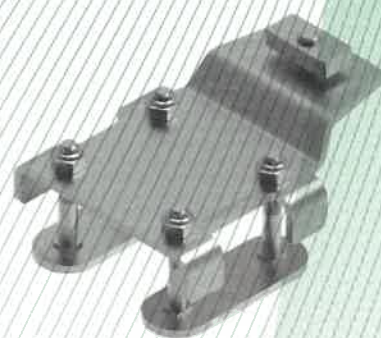


Fig. 14: fastening element type TAURUS-BEF-50

# TRANSLATION



Fig. 15: fastening element type TAURUS-BEF-90

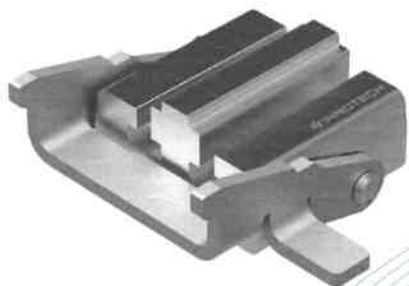


Fig. 16: rail end type TAURUS-EA-11



Fig. 17: rail end type TAURUS-EA-10



Fig. 18: rail end type TAURUS-EA-12

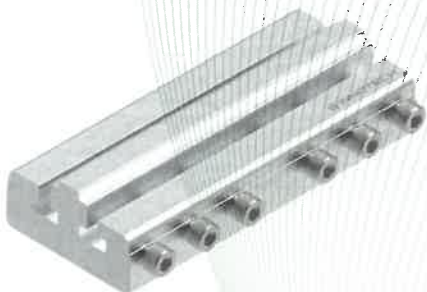


Fig. 19: rail connector type VB-10



Fig. 20: rail connector type VB-11

TRANSLATION



Fig. 21: rail connector type VB-12



Fig. 22: rail connector type VB-13

(17) Report

PB 21-110, 2021-05-25

